

Public Notice

Notice is hereby given that Lincolnshire County Council proposes to grant a licence, under powers contained in the Business and Planning Act 2020.

Charlotte Griffin gave notice on 3 July 2026 by applying to Lincolnshire County Council for a 'Pavement Licence' at: 17 High Street, Stamford, PE9 2AL known as Caffe Nero.

The application is for:

- Tables: 10
- Chairs: 18
- Patio heaters: 0
- Parasols or umbrellas: 0
- Planters: 0
- Litter bins: 0
- Barriers or balustrades: 2
- Sales counters: 0

In an enclosure measuring:

- Length in metres: 7.0
- Width in metres: 2.5

Between the following hours:

- Monday: 7am to 6pm
- Tuesday: 7am to 6pm
- Wednesday: 7am to 6pm
- Thursday: 7am to 6pm
- Friday: 7am to 6pm
- Saturday: 7am to 6pm
- Sunday: 8am to 6pm

Public consultation will end in 14 days.

[Please use this link to provide feedback.](#)

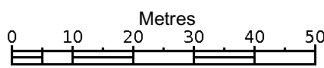
Reference number: PCL000402

Access code: OX9-bOI-LeO



Produced 13 Sep 2022 from the Ordnance Survey MasterMap (Topography) Database and incorporating surveyed revision available at this date.

The representation of a road, track or path is no evidence of a right of way. The representation of features as lines is no evidence of a property boundary.

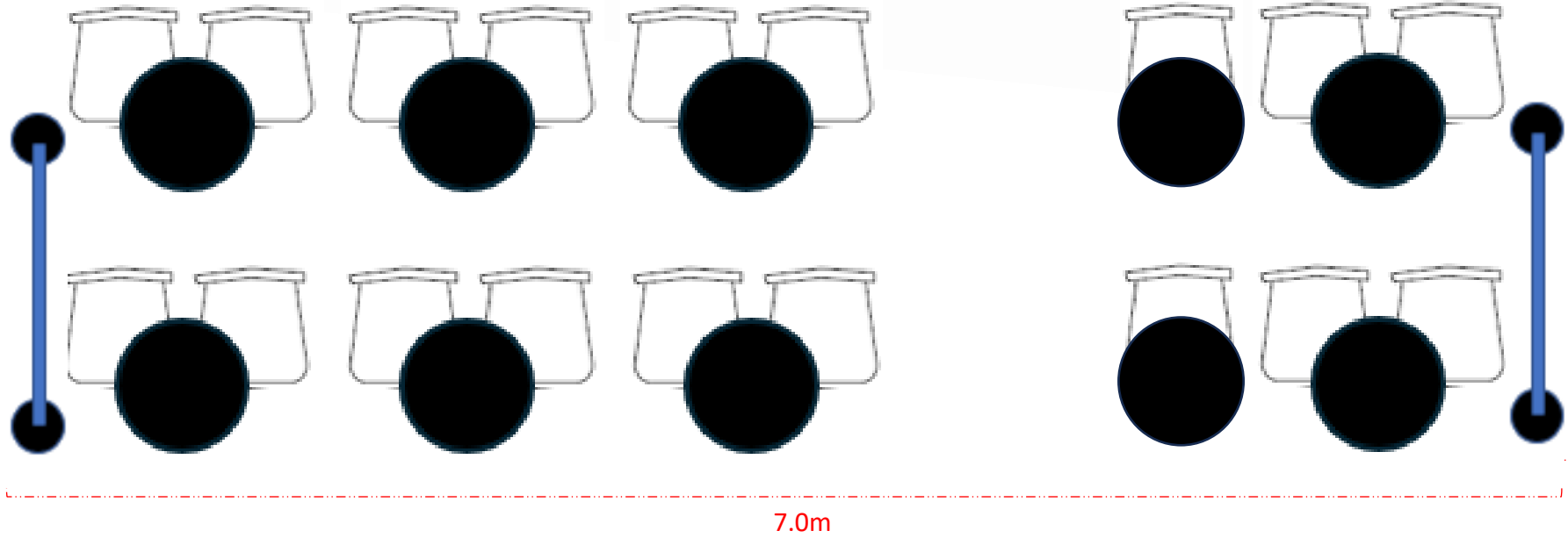
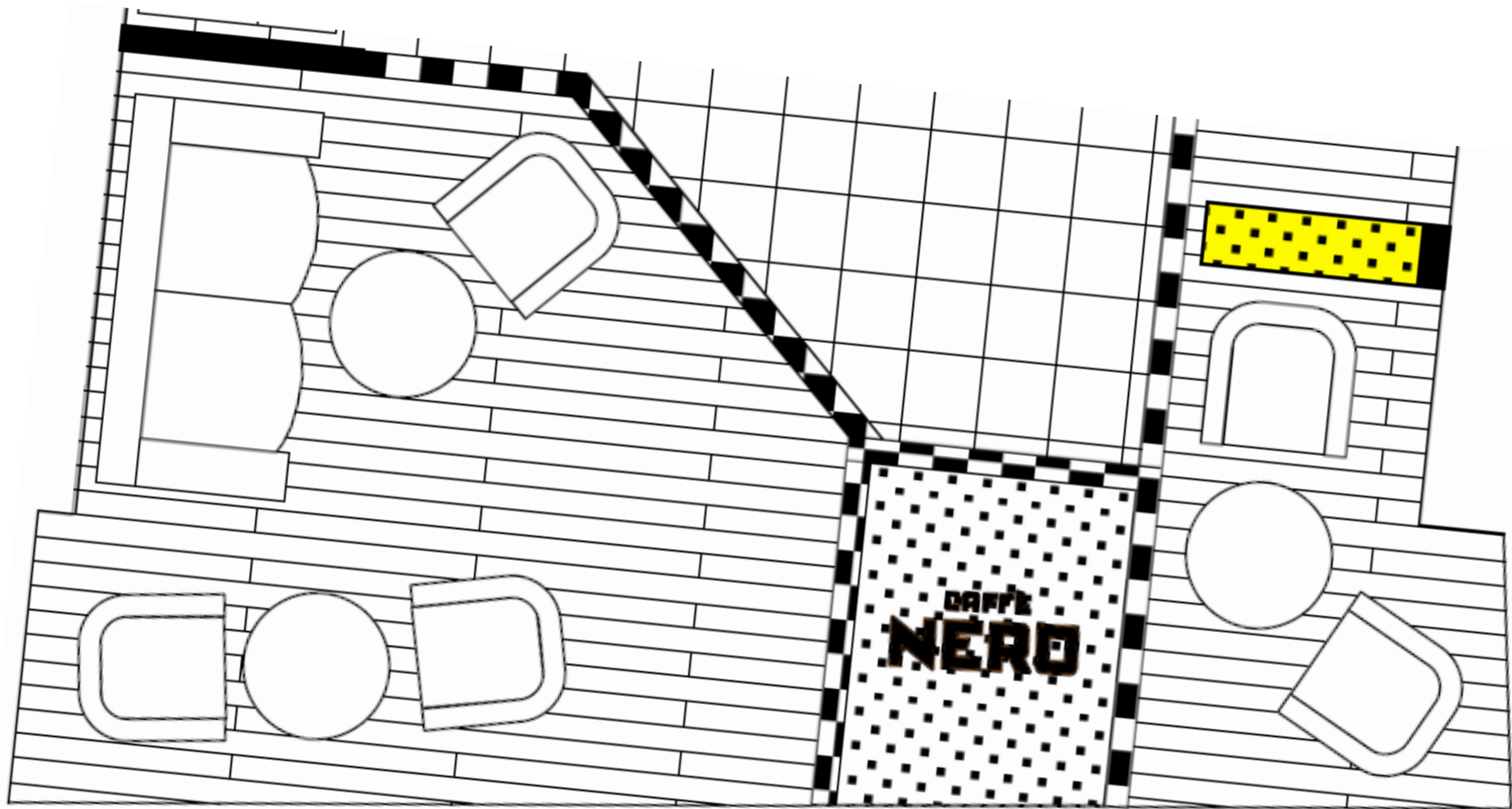


1:1250



17, High St, Stamford
PE9 2AL

Supplied by: **Stanfords 13 Sep 2022**
Licence: © Crown Copyright and
database rights 2022 OS100035409
Order Licence Reference: OI1560973
Centre coordinates: 503012 307183



2.5m

7.0m



17 High Street
Stamford, PE9 2AL